

NOTICE TO USER 2

SAFETY 2

INSTALLATION

Preparation 3

Change Orientation 4

Posts 7

Curtain 9

Interlock/Interdeterrent (OPTIONAL) 11

Electrical 12

OPERATION

Extend Barrier 16

Store Barrier 16

MAINTENANCE

Planned Maintenance 17

Exterior Use 17

Re-Tensioning Roller Assembly 18

PARTS

DGLDXL 20

DGLDXLCM 22

Interdeterrent, Interlock and Latch 23

Curtain Lead Bar and Latch 24

Interdeterrent Switch 25

Actuator 25

Interlock 26

WARRANTY 28

Manual Part #: 54450062

Model #: DGLDXL, DGLDXLCM

Publication: AMEN00282 2020-02-14

NOTICE TO USER

Thank you for purchasing a Rite-Hite product.

The Dok-Guardian LDXL Safety Barrier is designed:

- to stop a 5500lb [2500kg] fork truck traveling at up to 2 miles per hour.
- with a tolerance of minus 6in [152mm] or plus 5in [127mm].

The English version of this manual shall prevail over any error in, or conflicting interpretation of, any translations.

Rite-Hite reserves the right to substitute and/or modify parts and drawings. If separate prints are included with the unit, they supersede those contained in the manual.

For best results, have this product serviced by an authorized Rite-Hite representative.

A Planned Maintenance Program (P.M.P.), customized to your specific operation is available and recommended. For a P.M.P., contact your local Rite-Hite representative or Rite-Hite technical support at (U.S.) 1-414-973-3625 or 1-888-456-3625, (S.A.) +55 21 99616 4421, (E.U.) +49-5693 98700.

The Rite-Hite products in this manual are covered by one or more of the following U.S. patents: 7207370, 7832451, 7775252, 6279276, 8490668, 7237591, 8087443, 8826963, and may be covered by additional pending U.S. and foreign patent applications.

Manufactured by Rite-Hite Engineered Solutions Group, Inc.

SAFETY

Safety Identifications

DANGER

Indicates a hazardous situation which, if not avoided, will result in death or serious injury.

Indique une situation dangereuse qui, si elle n'est pas évitée, peut entraîner la mort ou de graves blessures.

WARNING/AVERTISSEMENT

Indicates a hazardous situation which, if not avoided, could result in death or serious injury.

Indique une situation dangereuse qui, si elle n'est pas évitée, peut entraîner la mort ou des blessures graves.

CAUTION/ATTENTION

Indicates a hazardous situation which, if not avoided, could result in minor or moderate injury.

Indique une situation dangereuse qui, si elle n'est pas évitée, peut entraîner des blessures légères à modérées.

NOTICE

Indicates a situation which can cause damage to the equipment, personal property and/or the environment, or cause the equipment to operate improperly.

NOTE: A note is used to inform you of important installation, operation, or maintenance information.

SAFETY

General

WARNING/AVERTISSEMENT

Spring under tension.

DO NOT unwind the roller spring!

Ressort sous tension.

NE PAS dérouler le rouleaux à ressort!

WARNING/AVERTISSEMENT

Cancer and Reproductive Harm

www.P65Warnings.ca.gov

Canver al problèmes du système de reproduction

www.P65Warnings.ca.gov

CAUTION/ATTENTION

Barricade the work area until the unit(s) have been completely installed.

Barricader la zone de travail jusqu'à ce que l'unité(s) ont été complètement installé.

NOTICE

DO NOT install unit in areas that exceed 140°F [60°C].

INSTALLATION

Preparation

The Dok-Guardian LDXL is shipped to order.

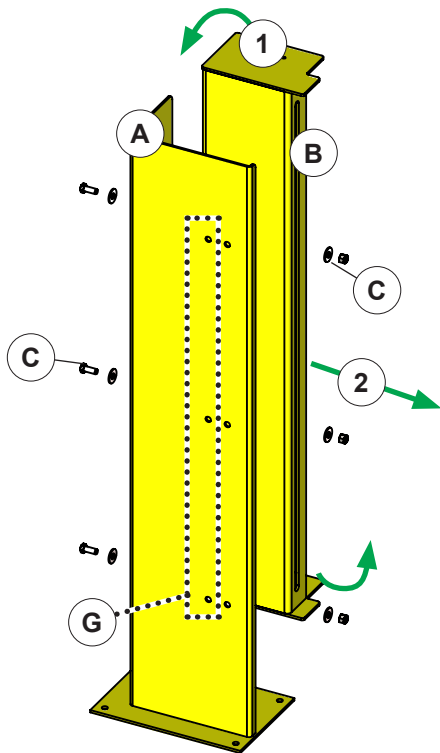
If ordered/shipped correctly, go to "**Posts**" (page 7).

If you need to alter the orientation from what was ordered/shipped, go to "**Change Orientation**" (page 4).

INSTALLATION

Change Orientation

Storage Post



Receiver Post

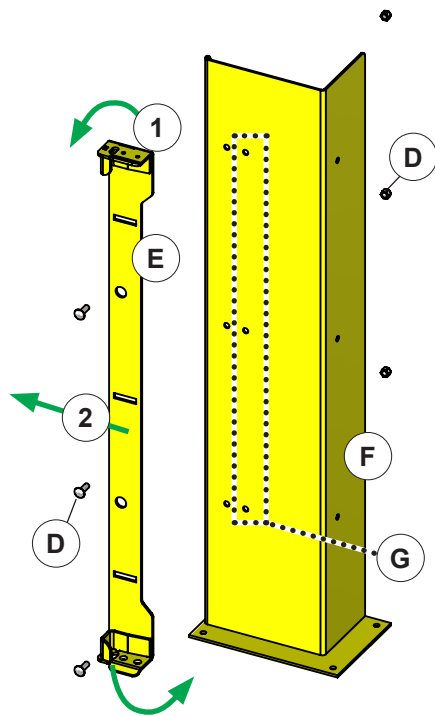


Figure 1

NOTICE

Reversal of operation is limited to stand alone Dok-Guardian LDXL units only and not applicable to common member units. Please contact your local Rite-Hite representative or Rite-Hite technical support for additional information.

To modify the Dok-Guardian posts to pull the curtain in the opposite direction:

1. Separate the roller support (B) from the storage post (A) by removing the 3 bolts, washers, and nuts (C).
2. Turn the roller support completely upside down (1) and set next to the opposite post (2).
3. Separate the latch bracket (E) from the receiver post (F) by removing the 3 bolts, washers, and nuts (D).
4. Turn the latch bracket completely upside down (1).
5. Position the latch bracket on the opposite post (2). Use the mounting holes furthest from the center opening (G) and refasten.
6. Position the roller support on the opposite post (F) and refasten using 3 bolts, washers and nuts.

INSTALLATION

Change Orientation *Continued*

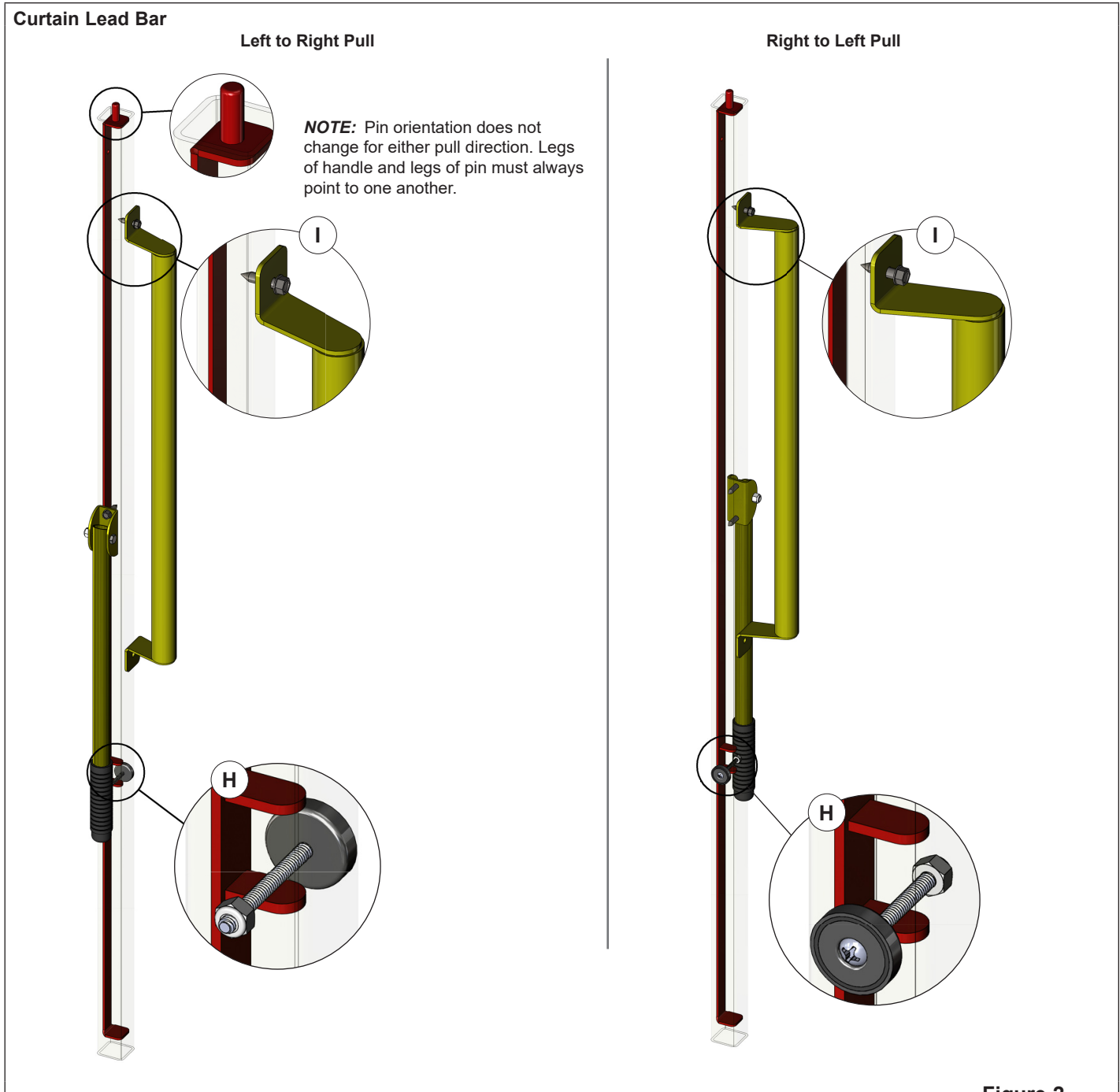


Figure 2

7. Remove screw, nut and magnet from bar (H). Feed screw for magnet through opposite side and re-assemble.
8. Remove the handle (I), turn upside down and reinstall using the same holes.

INSTALLATION

Change Orientation *Continued*

Interlock Assembly (if equipped)

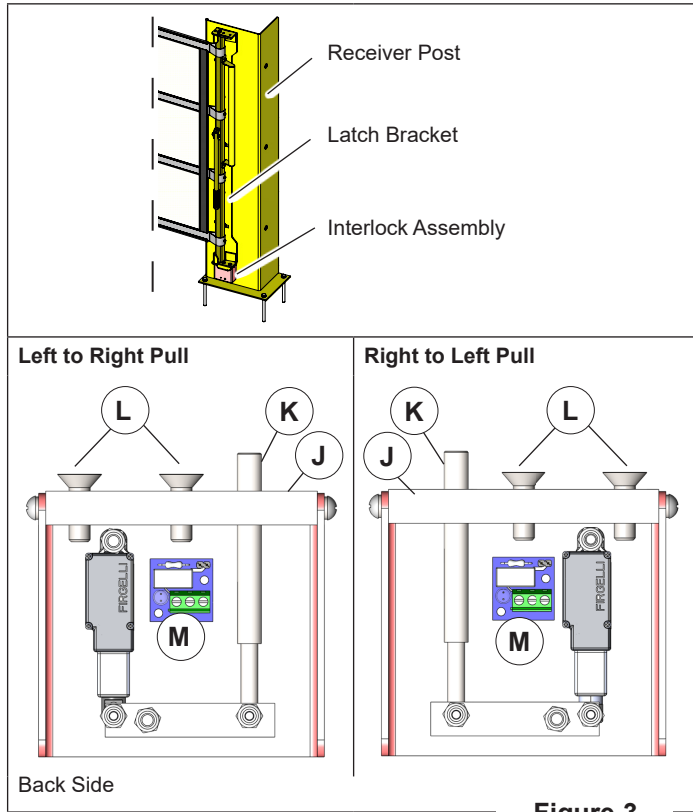
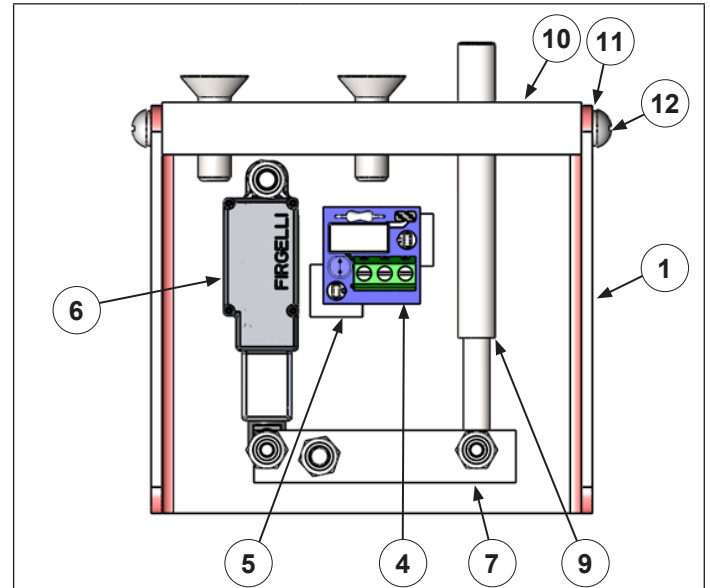


Figure 3

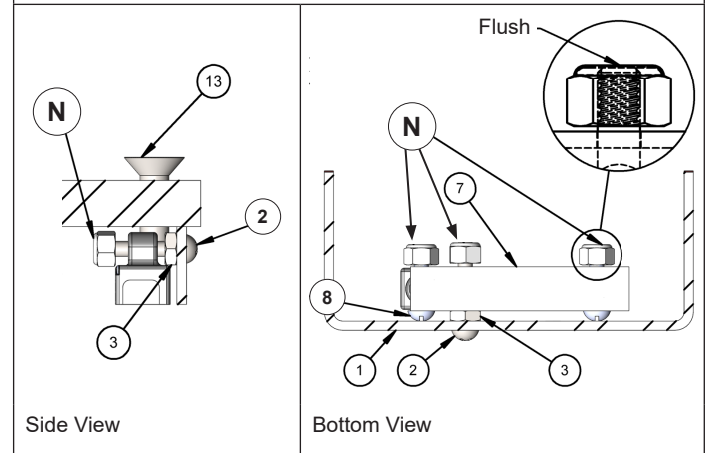
9. Follow order in **Figure 4** to flip zinc plate (J) end over end and swap/relocate interlock actuator (K) and flat screws (L). Reverse order to refasten.

NOTE:

- Circuit board (M) is centered and does not get moved.
- **DO NOT** overtighten nylock nuts. Actuator should have freedom of movement.
- Nylock nuts (provided with actuator) finish flush with the screw end (N).



Shown: Back Side (Left to Right pull).



Side View

Bottom View

ORDER	#	QTY	DESCRIPTION
1st (2 places)	1	1	SHROUD, SW, INTRLCK, 10MM, DKGRDN
	2	2	SCR, RHMS, PHLP, #8-32X1, ZNC
	3	2	NUT, HEX, SERRATED, #8-32X1/8", Z
2nd	4	1	PCB, ACTUATOR, DOK-GUARDIAN
	5	2	STANDOFF, NYLON, PCB, ADHSV, 1/4"
3rd	6	1	ACTR, 12VDC, 10MM, 5MM/S, 45N
	7	1	LVR, LINKAGE, INTRLCK, DKGRDN
	8	2	SCR, RHMS, PHLP, #8-32X3/4, ZNC
4th	9	1	SHAFT, INTRLCK, STOP, 10MM, DKGRDN
	10	1	PLATE, INTRLCK, MNT, 10MM, DKGRDN
	11	4	WSHR, LOCK, SPLIT, #10, ZNC
5th	12	4	SCR, RHMS, PHLP, #10-24X1/2, ZNC
	13	2	SCR, FHMS, SCKT, 5/16-18X1

Figure 4

INSTALLATION

Posts

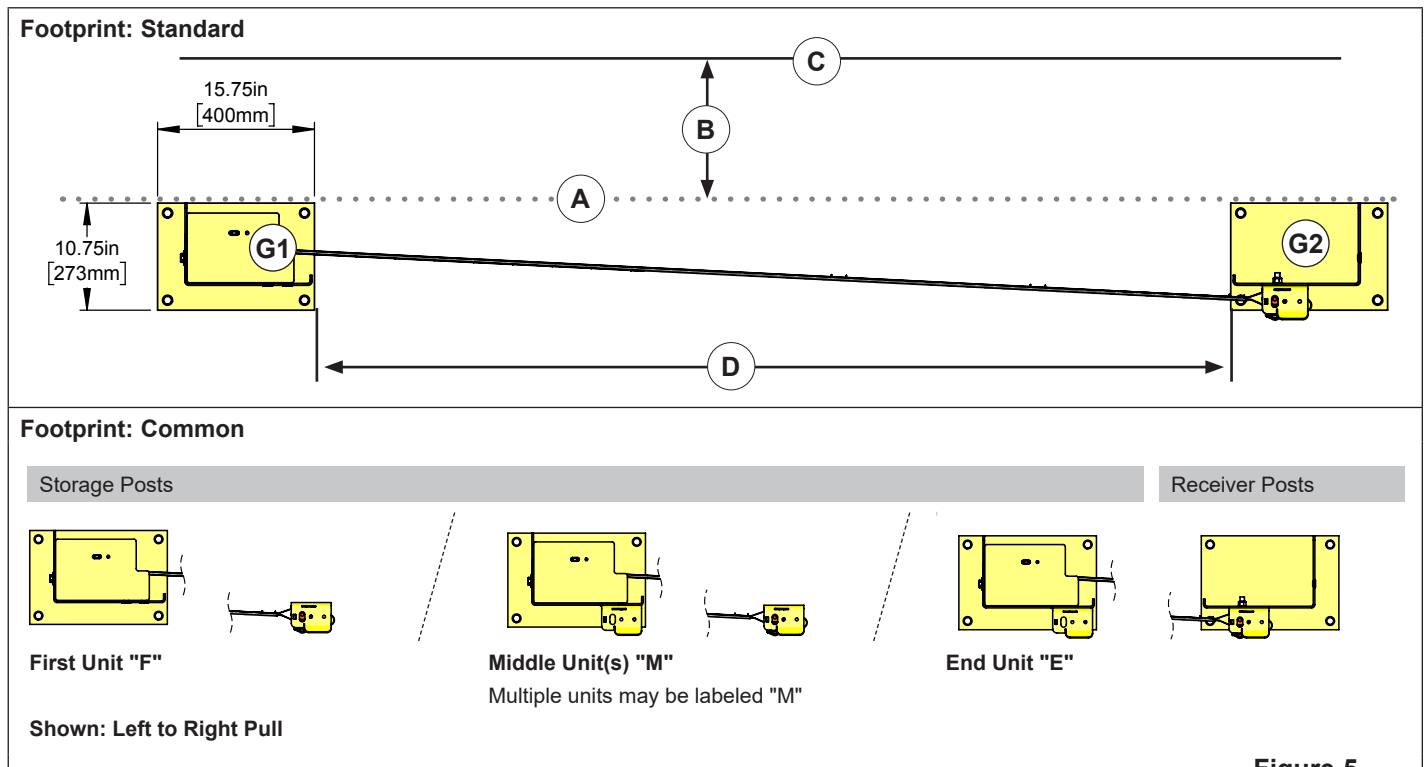


Figure 5

Reference the survey drawing completed by the salesperson if it is available.

The inner wall of each post are labeled with the curtain's C.O.W. (Clear Opening Width) and a letter indicating the type of unit "F" = First, "M"= Middle, and "E" = End.

The back of the unit (near the roller) is labeled with the width of each curtain and (for common footprints) a letter.

1. The back side of all posts should be flush (A) and measure the same distance (B) from the dock edge or equipment it is protecting (C).

Position the inside edge of the posts even with the door jamb and the backs at least:

- 17in [432mm] from the dock edge (B), for units up to 11ft-5in [3.48M] C.O.W. (D)
- 30in [762mm] from the dock edge (B), for units 11ft-6in [3.5m] C.O.W and greater. (D)

Ensure the placement of the posts do not interfere with any door operation.

Footprint: Standard, go to Step 5.
(i.e.1 Storage (G1), 1 Receiver (G2)).

Footprint: Common, go to Step 2.

2. **First Unit "F"**: Position to begin the chain. The C.O.W. between unit "F" and the first "M" unit must be within 5in [127mm] of the width dimension indicated on the back side of unit "F".
3. **Middle Unit(s) "M"**: Center each unit in the space available between the respective doors being serviced. Arrange, in correct sequence, any "M" units that vary in C.O.W. Ensure the C.O.W. between the units is within 5in [127mm] of the width dimension indicated on the back side of each unit's respective storage unit.
4. **End Unit "E"**: Position unit "E" and the latch side post to end the chain. Ensure the C.O.W. between unit "E" and the latch side post is within 5in [127mm] of the width dimension indicated on the back side of unit "E".
5. After the units are within their respective service ranges, shim the posts as necessary to be plumb and level.
6. Complete **"Anchoring to Concrete**" (page 8)**.

INSTALLATION

Posts *Continued*

Anchoring to Concrete*

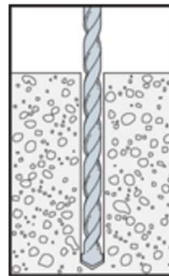
The Dok-Guardian Light Duty XL Safety Barrier requires a minimum concrete thickness of 6.75in [170mm] to provide proper unit support.

Tools Required:

- Hammer drill with 1/2in x 7in concrete drill bit
- Impact wrench (65ft-lbs [88Nm]) with 3/4in impact socket

1. Tighten all rails and brackets securely before anchoring the system to concrete.

- 2.

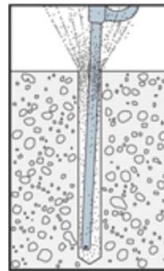


Position the safety barrier in its intended position. Use the base plates of the post as a template and drill (6) 1/2in diameter holes a minimum of 7in [178mm] deep (or completely through the concrete).

– Drill the appropriate size hole in the concrete per anchor being used. The hole should be drilled a minimum of 1in [25mm] deeper than the length of the anchor or completely through the concrete.

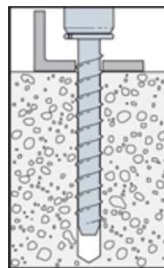
– Using a drill bit that is too small or excessively worn will make it very hard to install the anchor. Using a drill bit that is too large will reduce the anchor's load capacity.

- 3.



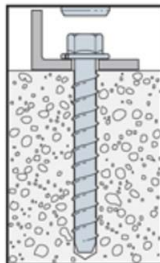
Use compressed air to clean the drilled hole so you can tighten the anchor completely.

- 4.



Use an impact wrench and 3/4in socket to install the (provided) 1/2in x 6in Titen HD concrete anchors through base plate and into the holes drilled into the concrete.

- 5.



Securely tighten all anchors to 65ft-lbs [88Nm] with the impact wrench. Make sure the hex washer head is in contact with the base plate.

6. Repeat this process for all of the concrete anchors on the post.

*Image credits: Titen HD Concrete Anchor instructions (strongtie.com)

INSTALLATION

Curtain

⚠ WARNING/AVERTISSEMENT

Spring under tension.

DO NOT unwind the roller spring!

Ressort sous tension.

NE PAS dérouler le rouleaux à ressort!

Adjustment

Curtain must be adjusted after posts are secured in place.

1. Loosen the bolts slightly on the latch bracket and slide the latch bracket towards the storage post until it stops.
2. At the storage post, grasp the steel handle of the curtain lead bar and walk the curtain across the opening.
3. Secure the curtain lead bar into the latch bracket on the receiver post.
4. Return to the back side of the storage post.

If the round retaining bar is installed in the closest available set of pockets to the units slotted opening, go to "[Latch Bracket Adjustment](#)" on page 10.

If not, go to "[Moving Retaining Bar](#)" on page 9.

Moving Retaining Bar

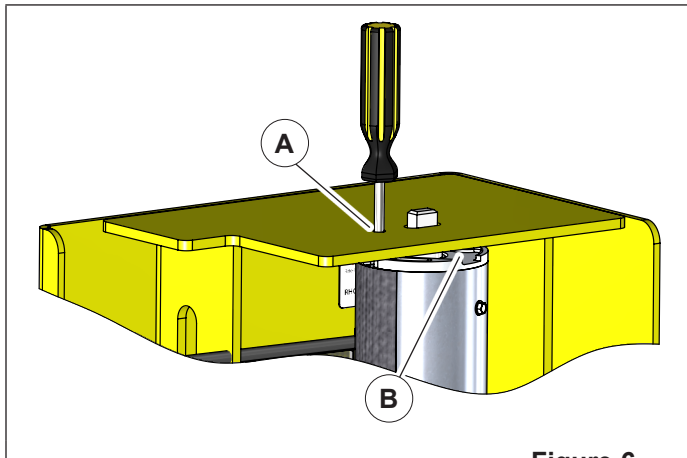


Figure 6

3. Ensure the square latch bar is still engaged in the latch bracket. Pull the curtain evenly taut, towards the roller tube until the curtain face is vertical.
4. Determine the first available pocket that would accommodate the round retainer bar. Mark the vertical set of desired pockets.
5. Unlatch the square latch bar from the receiver post, allowing slack to be pulled from the back of the storage post.

NOTE: Do not remove curtain slot in the storage post.
6. Place on a clean flat surface with access to the desired pocket.
7. Move the round retainer bar from its shipped position into the pocket location determined in Step 4. Ensure the retainer bar is positioned vertically through all 3 pockets.
8. Secure the retainer bar at each pocket using a tek screw.
9. Return the square latch bar to the latch bracket on the receiver post.
10. At the storage post (while observing the vertical placement marked on the roller tube from Step 1 and the wrap direction noted in Step 2) return the curtain to the roller tube. Fasten the end of the curtain to the roller tube using the hook and loop fastener.
11. Carefully remove the screwdriver holding the roller tube and slowly release the spring energy.
12. Cycle the curtain in and out at least 3 times to re-seat the curtain on the roller tube.

1. Working from the back side of the storage post, mark the roller tube at top of the curtain for vertical placement.
2. Backwind the roller tube. Lock the roller with a screwdriver, by inserting the screwdriver through the hole in the top of the storage support (A) and 1 of the slots (B) in the roller tube concurrently. Note the direction the curtain is wrapped and completely remove the curtain from the roller tube while leaving inserted in the storage post slot.

INSTALLATION

Curtain *Continued*

Latch Bracket Adjustment

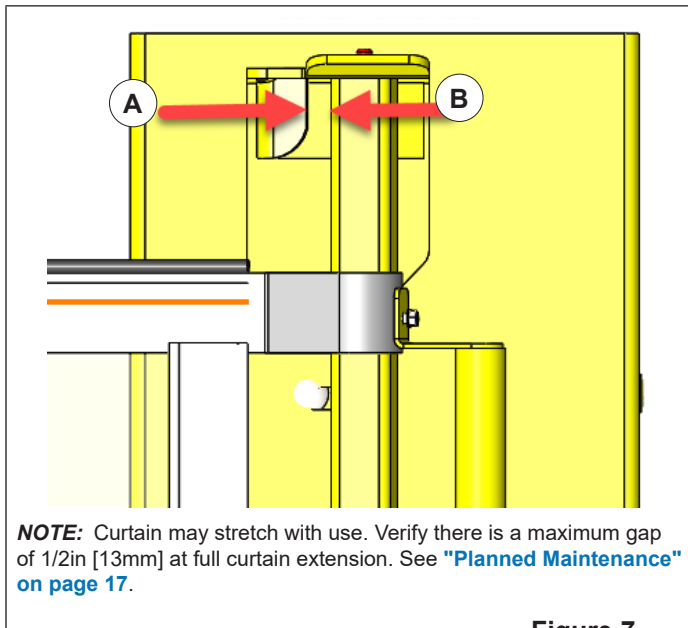


Figure 7

1. At the receiver post, ensure the innermost face of the curtain lead bar (B) extends no more than 1/2in [13mm] beyond the outermost edge of the cup (A) on the slotted latch bracket. If not, the slotted latch bracket offers lateral adjustment to decrease this distance.
2. After the desired distance is set, tighten the bolts on the latch bracket.
3. If the distance needs to be increased, the latch bracket must be moved to the alternate set of holes and repeat ["Latch Bracket Adjustment"](#).

Tensioning

If the top of the curtain "sags" or seems to be loose:

1. Angle the curtain attachment on the roller so the top of the curtain is pulled slightly tighter. With the curtain pulled out and engaged, unroll the rest of the curtain until the touch and hold fastener is accessible.
2. Lock the roller with a screwdriver, by inserting the screwdriver through the hole in the top of the storage support (A) and 1 of the slots (B) in the roller tube concurrently. See ["Figure 6" on page 9](#).
3. Remove the curtain from the roller and angle the curtain so the top of the curtain is slightly tighter. Hold the roller while removing the screwdriver. Let the curtain roll up slowly.
4. Disengage the curtain from the latch bracket and roll the unit up 2 or 3 times. Engage the unit to see if the curtain is tighter.
5. Repeat to add more angle, if necessary.

INSTALLATION

Interlock/Interdeterrent (OPTIONAL)

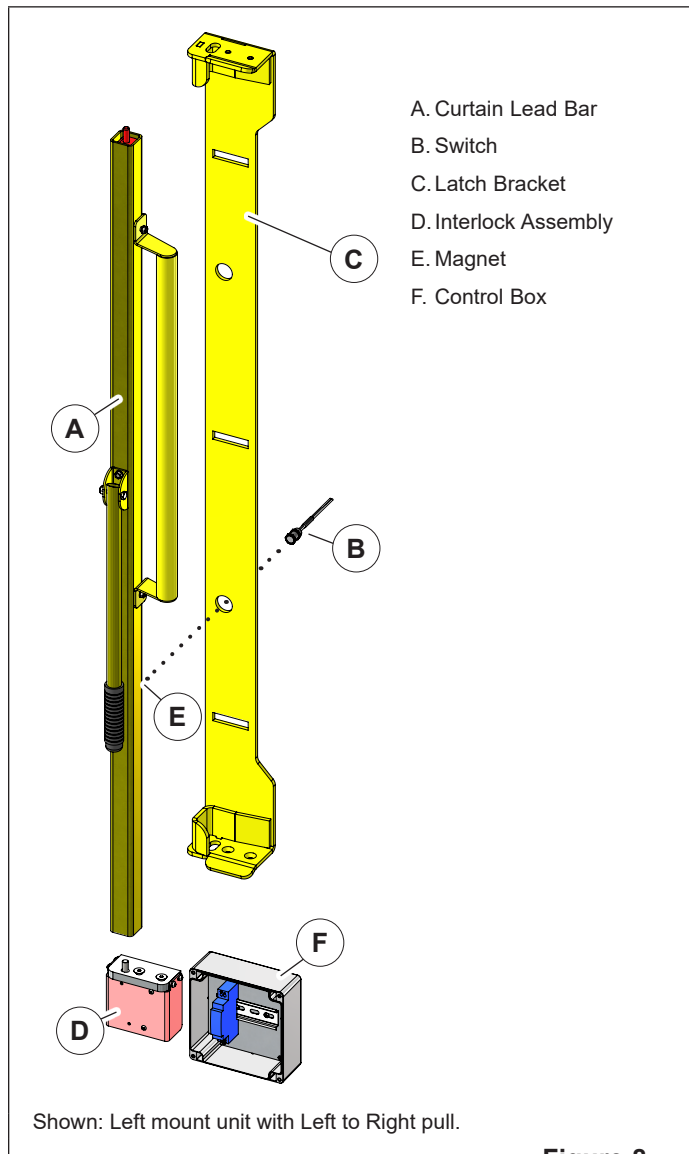


Figure 8

Interlock/Interdeterrent Switch

1. Determine the correct location of latch bracket (C) on post to have the curtain provide the proper stopping distance from impact.
2. Ensure concentricity of magnet and large circular hole in latch bracket (E).
3. Remove curtain lead bar (A).
4. Using latch bracket (C) as a template, drill a 1/2in [13mm] hole through the post (not shown) to pass the threaded body of the switch (B) to the back side of the post.
5. Install switch (B) in hole leaving the sensing face minimally recessed from the front surface of latch bracket (C).
6. Wire switch (B) to options module on trailer restraint.

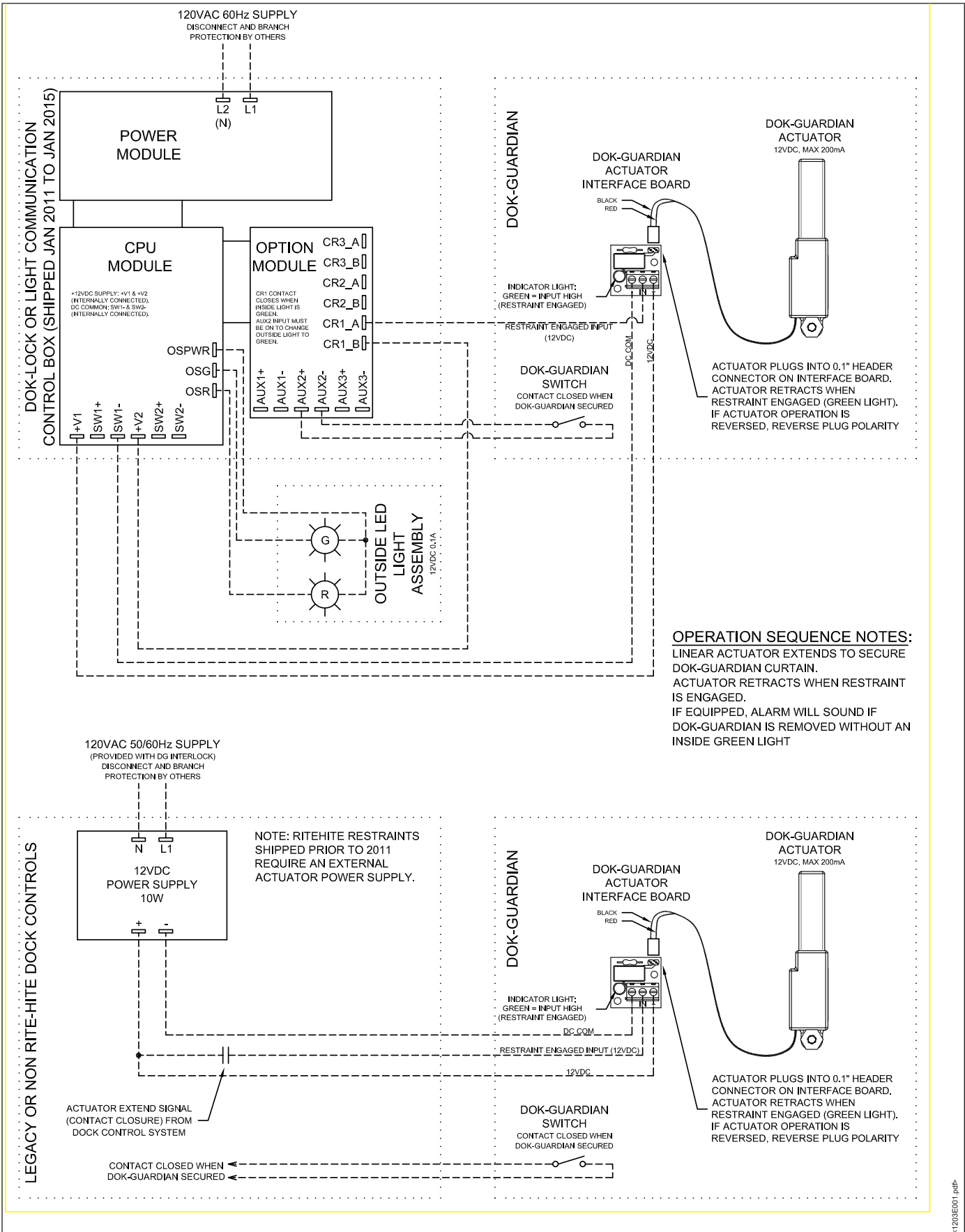
Interlock (Actuator) Assembly

1. Drill 1/4in [6.4mm] hole through the post near the back side of interlock assembly (D) avoiding the potential obstruction of any interlock assembly components.
2. Mount the interlock assembly (D) to the latch bracket (C) using 2 screws provided.
3. Feed wires through hole drilled in Step 1 and wire interlock assembly (D) to options module on trailer restraint.
4. Mount the power supplied control box (F) in a convenient location on the back of post or on the wall.
5. Repeat steps as necessary for common post units.

INSTALLATION

Electrical

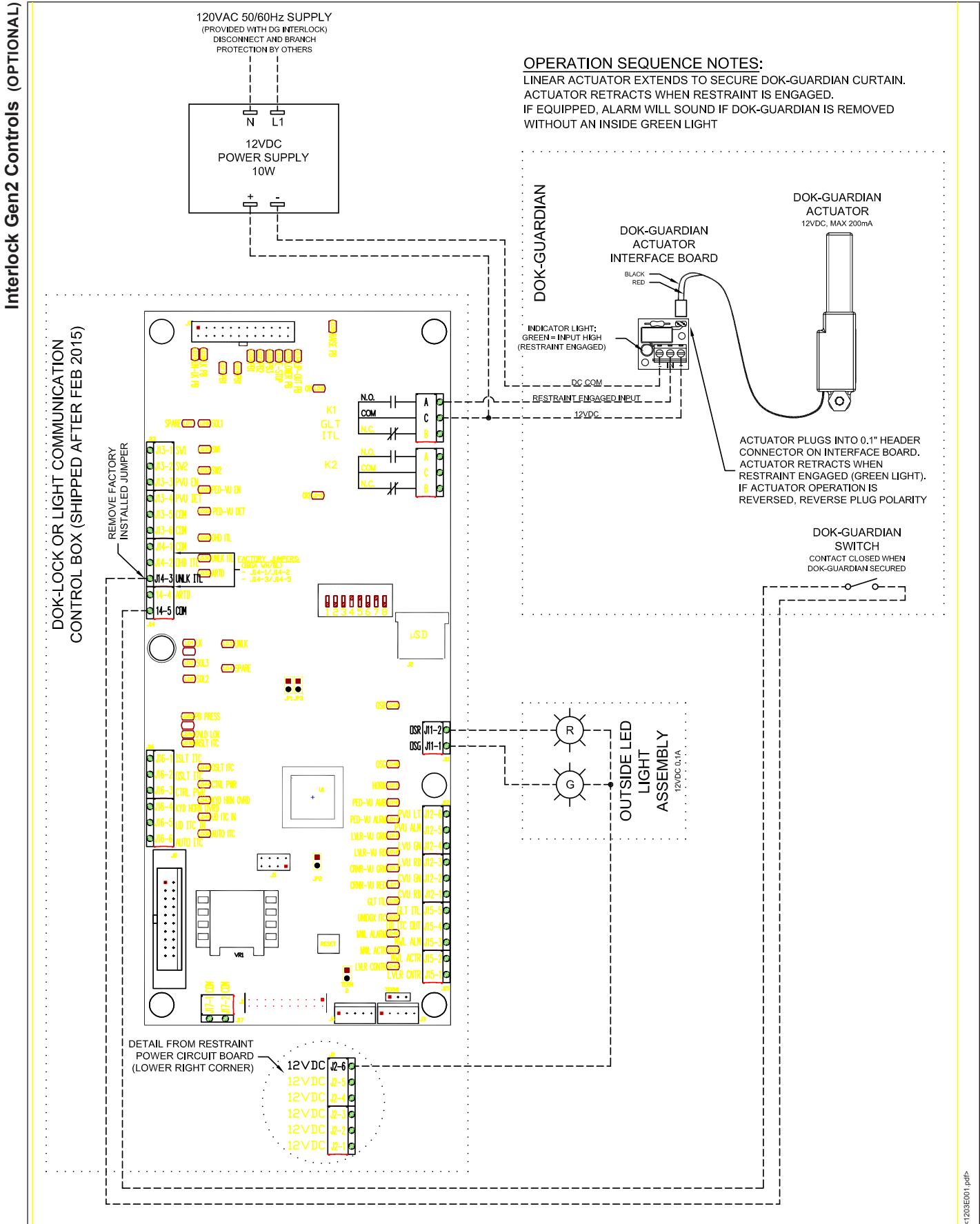
Interlock UCR Controls (OPTIONAL)



120BEC001.pdf

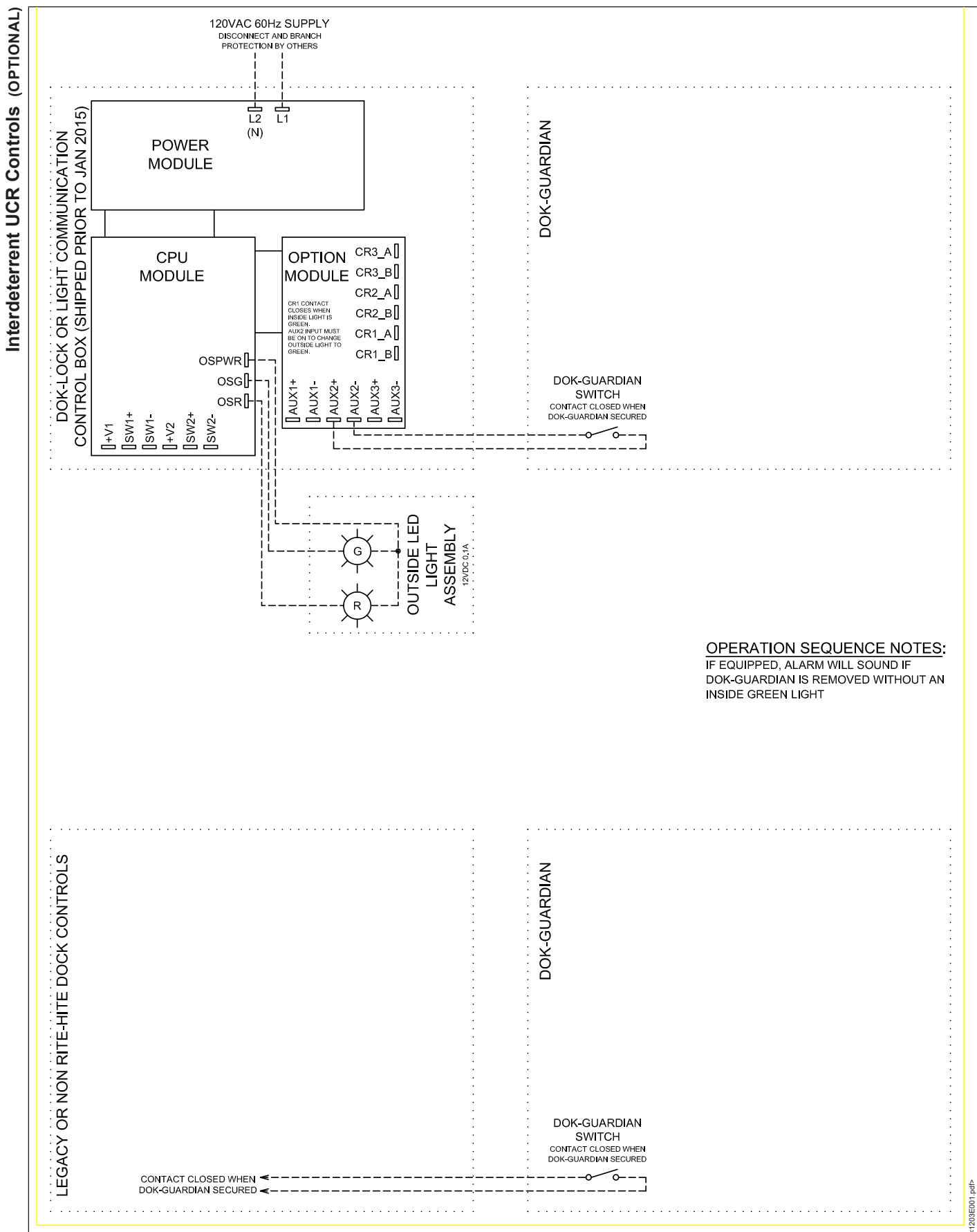
INSTALLATION

Electrical



INSTALLATION

Electrical



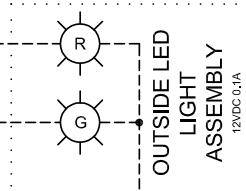
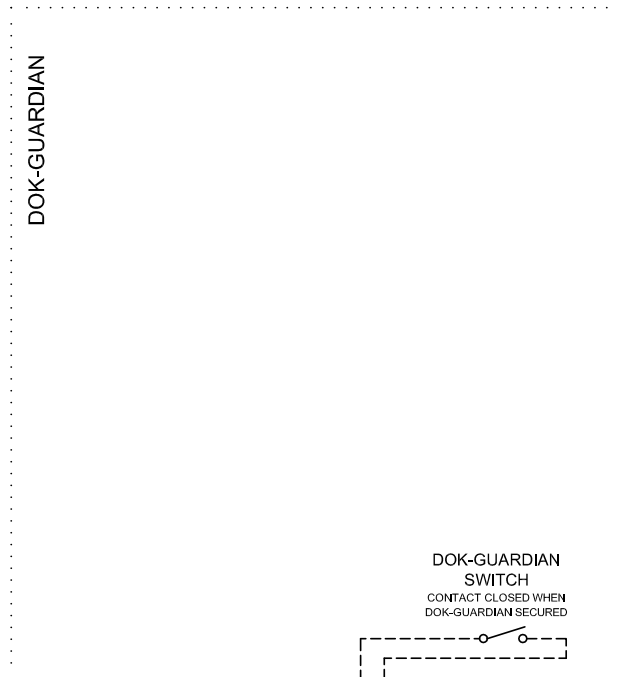
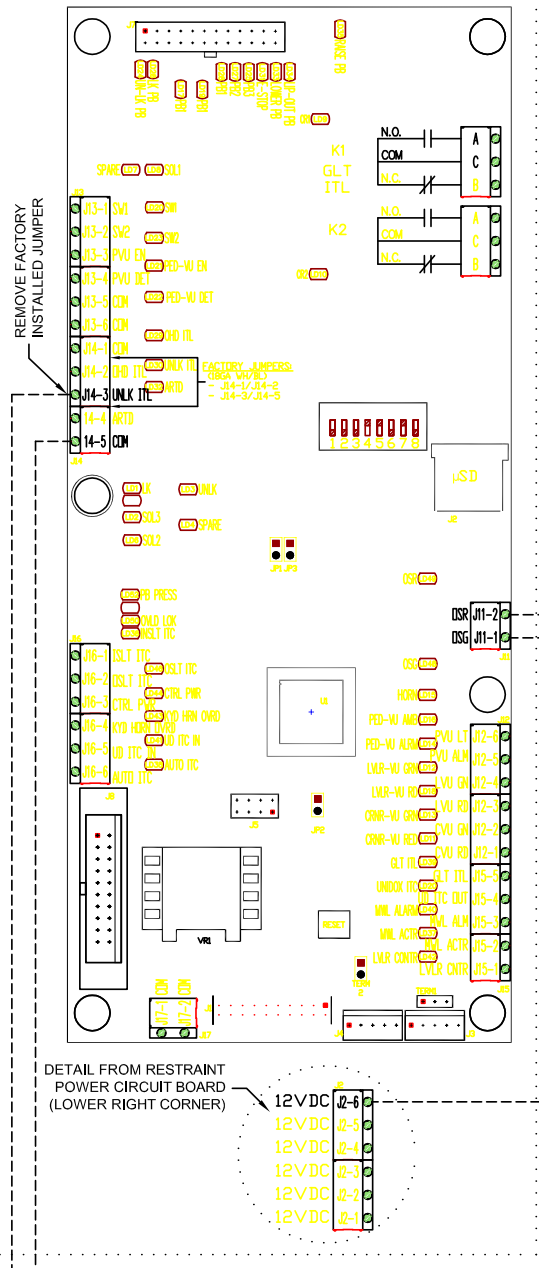
INSTALLATION

Electrical

Interdeterrent Gen2 Controls (OPTIONAL)

OPERATION SEQUENCE NOTES:
IF EQUIPPED, ALARM WILL SOUND IF DOK-GUARDIAN IS REMOVED WITHOUT AN INSIDE GREEN LIGHT

DOK-LOCK OR LIGHT COMMUNICATION CONTROL BOX (SHIPPED AFTER FEB 2015)



OPERATION

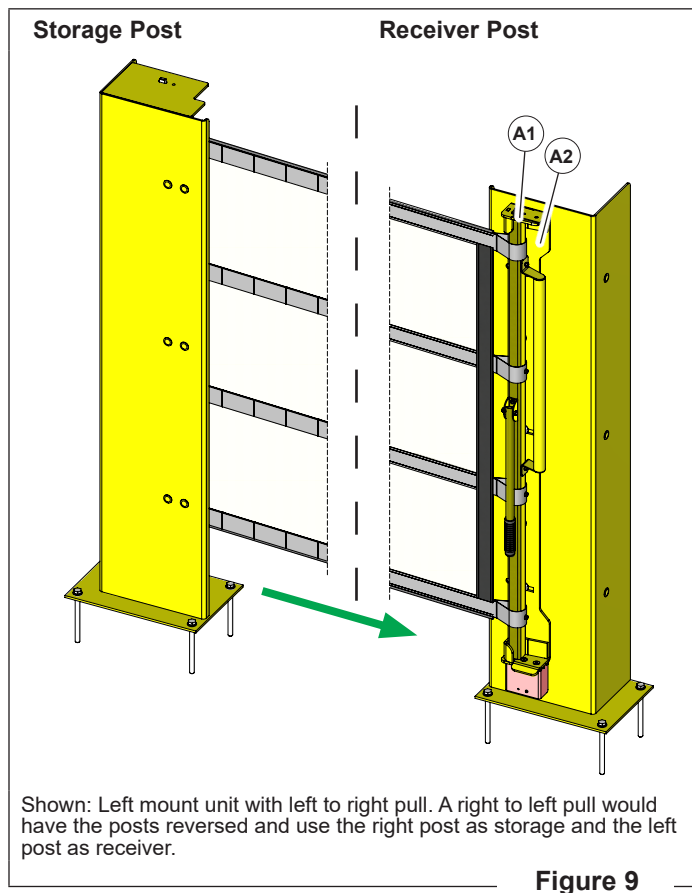


Figure 9

Extend Barrier

1. At the storage post, grasp the steel handle of the curtain and walk curtain across the opening.
2. Latch the curtain lead bar attached to the end of the curtain (A1) into the latch bracket (A2) at the opposite side of the opening.
3. Ensure the curtain lead bar is fully engaged in latch bracket.

NOTE: Because the pull force may be up to 50lb [23kg], perform this operation with straight motions (do not twist the body).

Store Barrier

1. Grasp the steel handle of curtain and release from the latch bracket.
2. Walk the curtain back to opposite side of the opening while supporting the curtain (to allow the curtain to properly roll up).
3. Release the handle only when the curtain and curtain lead bar are secured inside the storage post.

MAINTENANCE

Planned Maintenance

CUSTOMER:			SALES ORDER #:	SERIAL #:	DATE:
P.M. IN DAYS			INSPECT AND PERFORM THE FOLLOWING:		
1	30	90			
✓	✓	–	Cycle the unit. Inspect unit for damage from impact.		
✓	✓	–	Look for tears in the curtain or steel that is bent or damaged.		
–	✓	–	Ensure the concrete anchors are tight. Tighten with impact wrench.		
–	✓	–	Latch the curtain in the protected position. Press against the curtain and make sure that the curtain travel is restricted before 4in [102mm] of curtain is allowed to unroll from the roller assembly.		
–	✓	–	Unlatch the curtain and allow it to be rolled up by the roller assembly. Watch for any binding or loose edges on the curtain that may get caught or inhibit the curtain from properly rolling up.		
–	✓	–	Replace curtain if sewing becomes frayed or if there is significant damage to the mesh.		
–	✓	–	Clean the unit as necessary to maintain high visibility.		
–	–	✓	Curtain may stretch with use. Verify there is a maximum gap of 1/2in [13mm] at full curtain extension. See " Latch Bracket Adjustment " on page 10.		

Exterior Use

When used in an exterior environment, additional maintenance may be required, such as:

- Lubricating the roller bushing, checking the stitching of the curtain, and checking for debris
- Additional lubrication, if the curtain is difficult to pull out or the retraction of the curtain slows down
- Disassembling the roller and lubricating the spring
- The curtain replaced at shorter intervals due to additional weathering

MAINTENANCE

Re-Tensioning Roller Assembly

WARNING/AVERTISSEMENT

Spring under tension.

DO NOT unwind the roller spring!

Ressort sous tension.

NE PAS dérouler le rouleaux à ressort!

The spring roller assembly comes from the factory pretensioned. In normal use, the roller assembly will not need adjusting or re-tensioning. Use the following procedure only if the roller assembly is allowed to unwind.

1. Find a medium sized screwdriver to help hold tension on the assembly when the spring is wound.
2. Ensure both ends of the roller assembly are securely held in the roller holder.
3. Find the label on the roller indicating the direction the roller will need to be wound.
4. Wind the roller 22 revolutions in the direction indicated.

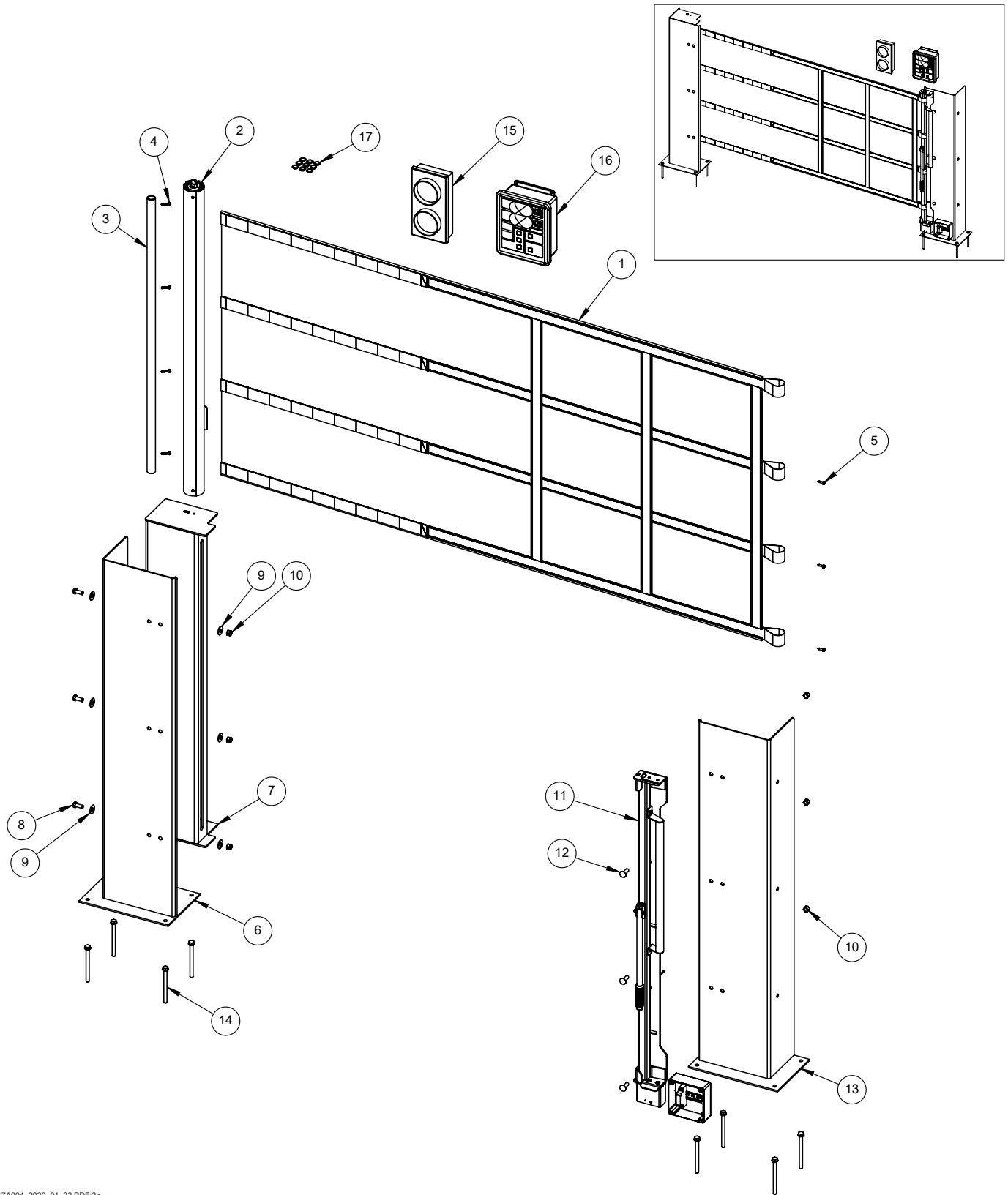
NOTICE

DO NOT wind the roller assembly more than 22 revolutions or damage to the torsion spring will occur.

5. While holding tension on the roller assembly, insert the screwdriver into the small hole on the top of the roller assembly and down into 1 of the 2 holes in the roller tube. Make sure the screwdriver is inserted securely before letting go of the roller tube.
6. Insert the back side of the curtain through the slot in the storage support post and install the curtain on the roller tube with the touch and hold fastener. Center the curtain vertically. The reinforcement straps on the curtain should be visible from the inside of the Dok-Guardian.
7. With 1 person supporting the curtain, remove the screwdriver that is holding the spring tension. Allow the curtain to slowly and carefully roll around the roller until the pockets for the retaining bar touch the roller. Insert the screwdriver in the hole to hold tension on the spring assembly.
8. Insert the retaining bar into the pockets in the curtain. Center the retaining bar on the curtain vertically. Position the retaining bar to the back side of the pockets and self drill/tap screw through the curtain top and bottom strap into the retaining bar to hold the retaining bar securely attached to the curtain.
9. Remove the screwdriver and carefully allow the curtain to continue to roll up.

PARTS

DGLDXL



<1217A004_2020_01_22.PDF:2>

PARTS**DGLDXL** *Continued*

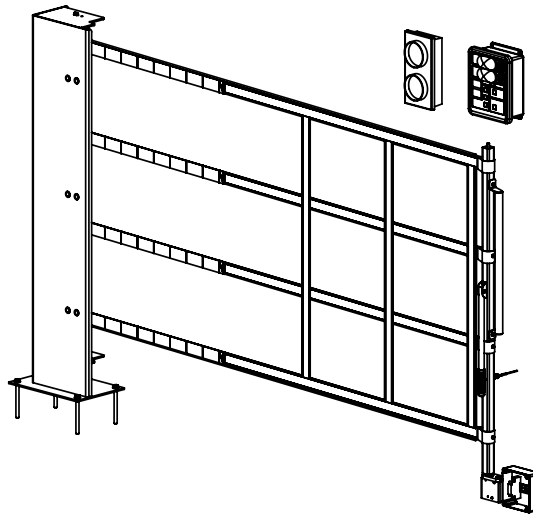
#	QTY	DESCRIPTION	STAND ALONE UNIT CLEAR OPENING WIDTH	COMMON MEMBER UNIT POST CENTERLINE WIDTH	PART #
1	1	Curtain DGLD			–
		CURT,4L(84IN),DGLDXL	1ft 6in to 4ft 5in	2ft 3in to 5ft 2in	28200204
		CURT,7L(120IN),DGLDXL	4ft 6in to 7ft 5in	5ft 3in to 8ft 2in	28200205
		CURT,10L(155.50IN),DGLDXL	7ft 6in to 10ft 5in	8ft 3in to 11ft 2in	28200206
		CURT,12L(180IN),DGLDXL	10ft 6in to 12ft 5in	11ft 3in to 13ft 2in	28200207
2	1	RLR,ASSY,DGXL			67200093
3	1	BAR,RETAIN,STORAGE,DGLDXL			–
4	4	SCR,HWH,DR/TP,1/4-14X1-1/4			–
5	3	SCR,HWH,DR/TP,1/4-14X1			–
6	1	POST,WLDMNT,LEFT,DGLDXL			65650067
7	1	SPRT,WLDMNT,RLR STORAGE,DGLDXL			72600094
8	3	SCR,HHMS,1/2-13X1-1/4,Z5			–
9	6	WSHR,FLAT,1/2X1-3/8X7/64,ZNC			–
10	6	NUT,HEX,NYLCK,1/2-13,ZNC			–
11	1	BAR,ASSY,CURT,RECEIVER			1041
12	3	BLT,CARG,1/2-13X1-1/2,Z5			–
13	1	POST,WLDMNT,RIGHT,DGLDXL			65650068
14	8	ANCHOR,CONCRETE,HH,1/2X6,ZINC			11230006
15	1	LIGHT,DOK LOK,ASSY,12/24V LED			54270036
16	1	CBOX,DOK-GUARDIAN,LIGHT COMM			17250203
17	1	HRDWR BAG,PLUG,YE,DGLD			53600256

PARTS

DGLDXLCM

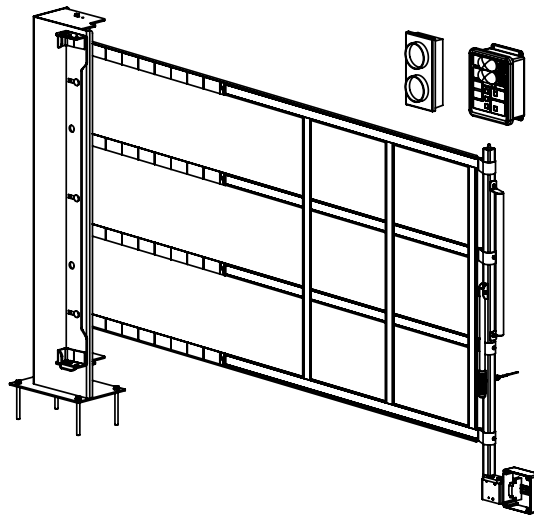
First Unit

- No Latch Bracket
- 1 Left Post
- No Right Post



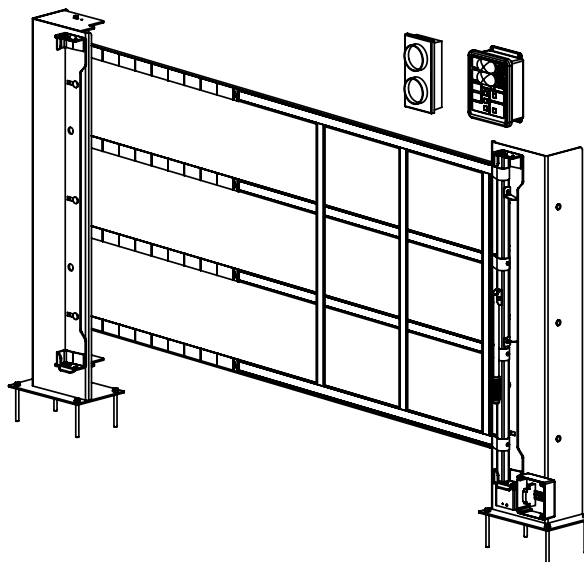
Middle Unit

- 1 Latch Bracket
- 1 Left Post
- No Right Post



End Unit



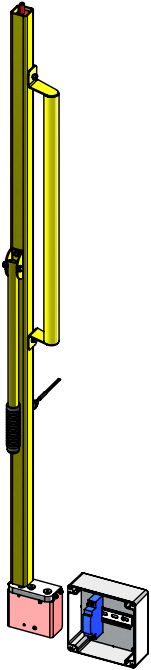
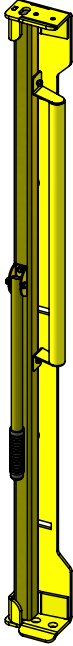
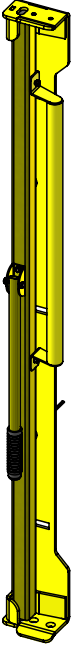
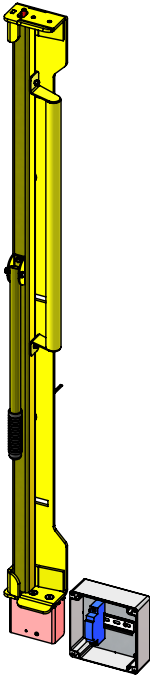
- 2 Latch Brackets
- 1 Left Post
- 1 Right Post



PARTS

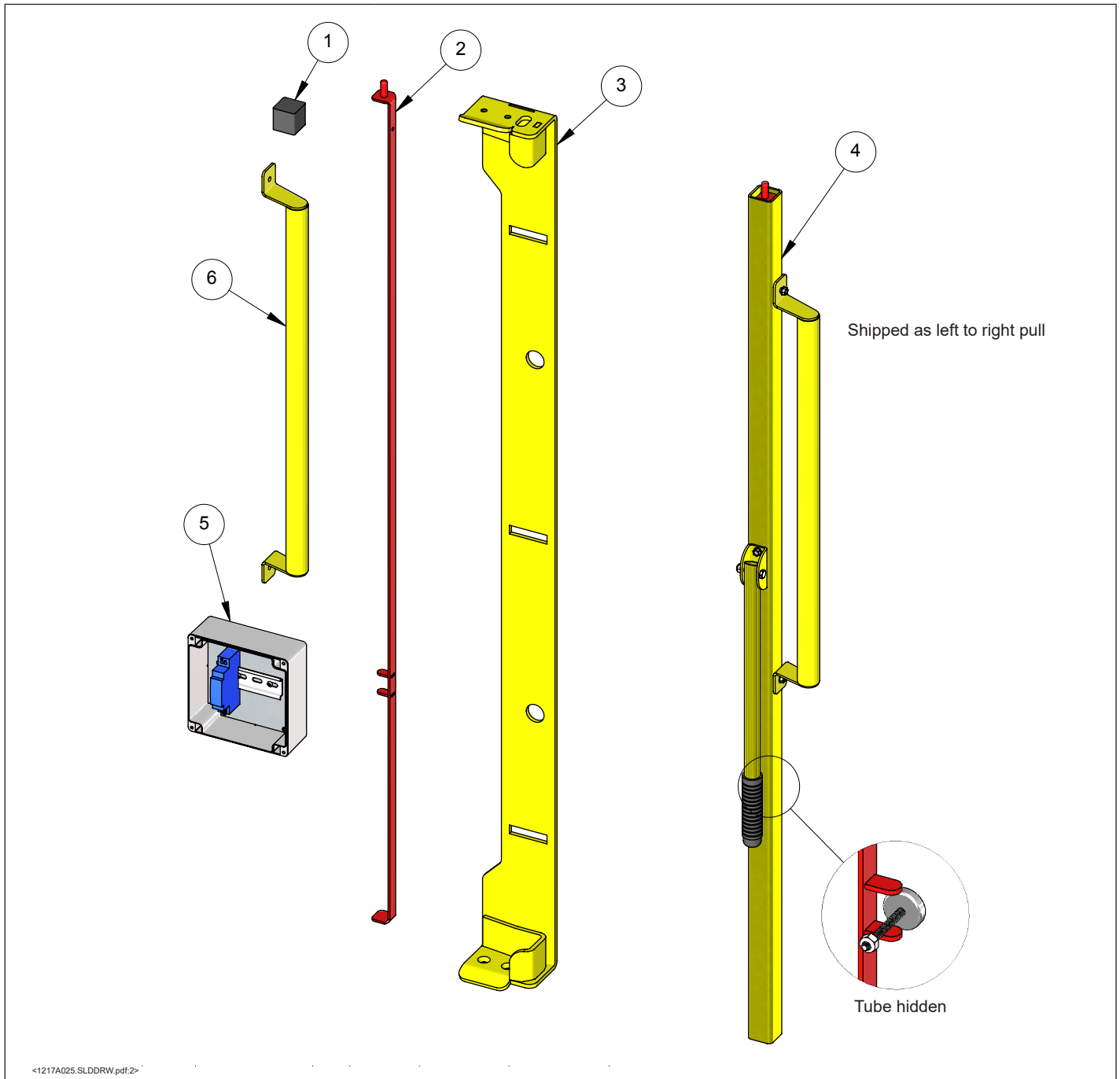
Interdeterrent, Interlock and Latch

1041

<p>None, No Latch</p> 	<p>Interdeterrent, No Latch</p> 	<p>Interlock, No Latch</p> 
<p>None, LDXL Latch</p> 	<p>Interdeterrent, LDXL Latch</p> 	<p>Interlock, LDXL Latch</p> 

PARTS

Curtain Lead Bar and Latch

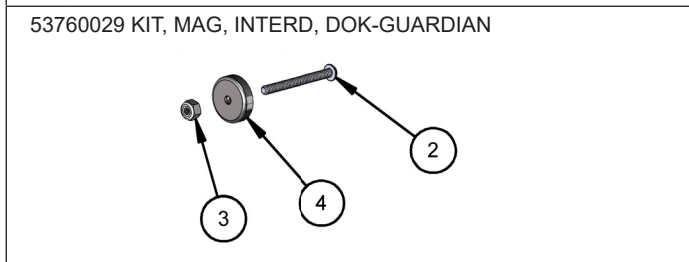
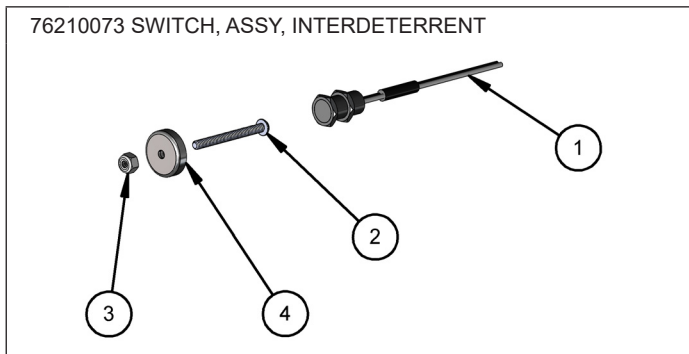


<1217A025.SLDDRW.pdf.2>

#	DESCRIPTION	PART #
1	PLUG,FOAM,BLK,1.375 SQ	65300027
2	PIN,WLDMNT,INTERLOCK,DGXL	64040041
3	LATCH,WLDMNT,RECEIVING,DGLDXL	54150046
4	BAR,ASSY,CRTN,INTRLK,XL	12420029
5	CBOX,ASY,DOCK GUARDIAN	17250202
6	HANDLE,WLDMNT,LEAD BAR,DGXL	51850063

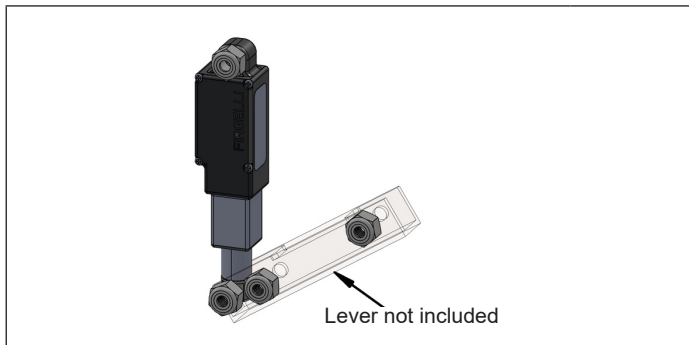
PARTS

Interdeterrent Switch



#	DESCRIPTION
1	SW, MAG REED, NO, 0.5A, 8ft CORD
2	SCR, RHMS, PHLP, #10-24 X2, SS
3	NUT, HEX, NYL LOCK,#10-24, ZNC
4	MAG, 13LB, 1OD, 3/16HOLE, ZNC

Actuator

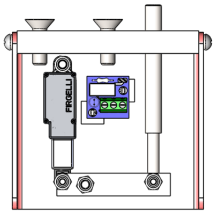


DESCRIPTION	PART #
ACTR, 12VDC, 10MM, 5MM/S, 45N	10200024

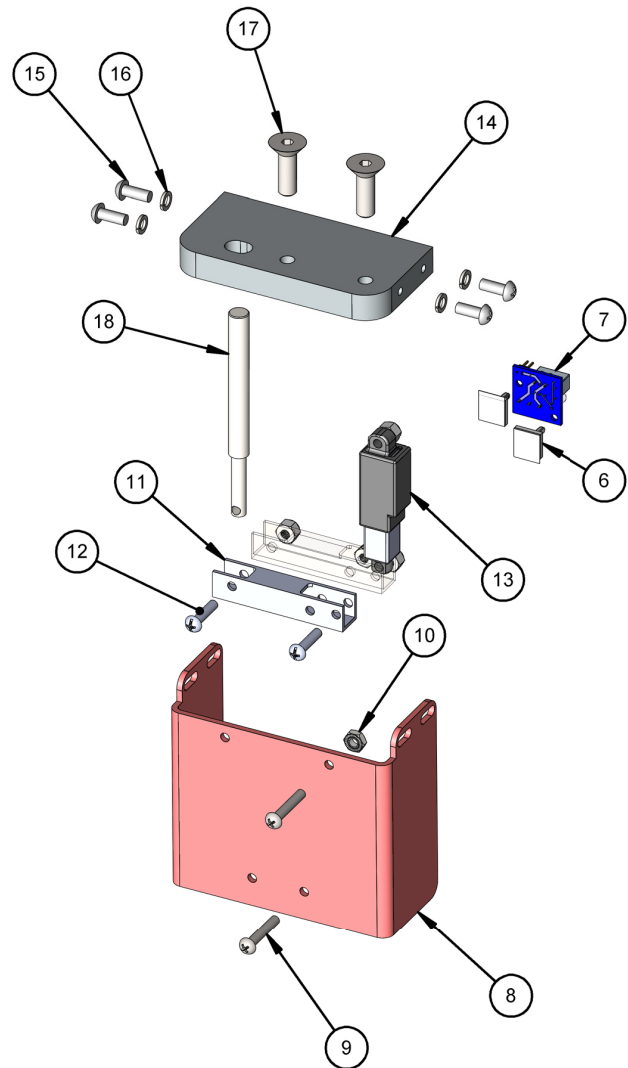
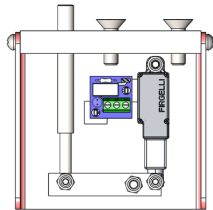
PARTS

Interlock

11600018 ASSY, INTRLK, SHRD, DG, 10MM, L2R



11600022 ASSY, INTRLK, SHRD, DG, 10MM, R2L



#	QTY	DESCRIPTION
6	2	STANDOFF, NYLON, PCB, ADHSV, 1/4in
7	1	PCB, ACTUATOR, DOK-GUARDIAN
8	1	SHRD, SW, INTERLOCK, 10MM, DKGRDN
9	2	SCR, RHMS, PHLP, #8-32X1, ZNC
10	2	NUT, HEX, SERRATED, #8-32x1in, Z
11	1	LVR, LINKAGE, INTRLCK, DKGRDN
12	2	SCR, RHMS, PHLP, #8-32X3/4, ZNC
13	1	ACTR, 12VDC, 10MM, 5MM/S, 45N
14	1	PLATE, INTRLCK, MNT, 10MM, DKGRDN
15	1	SCR, RHMS, PHLP, #10-24X1/2, ZNC
16	4	WSHR, LOCK, SPLIT, #10, ZNC
17	4	SCR, FHMS, SCKT, 5/16-18X1
18	2	SHAFT, INTRLCK, STOP, 10MM, DKGRDN

Rite-Hite Company, LLC and its affiliates (collectively "Rite-Hite") warrant that the Product sold to the Owner will be free of defects in design, materials and workmanship (ordinary wear and tear excepted) for the periods set forth below ("Limited Warranty").

One (1) Year(s) on all mechanical and electrical parts (non-prorated).
 One (1) Year(s) labor, based on Rite-Hite approved travel and labor repair times.

REMEDIES

Parts: Rite-Hite's obligations under this Limited Warranty are limited to repairing or replacing, at Rite-Hite's option, any part which is determined by Rite-Hite to be defective during the applicable warranty period. Such repair or replacement shall be Rite-Hite's sole obligation and the Owner's exclusive remedy under this Limited Warranty.

Labor: Rite-Hite will provide warranty service without charge for labor per the specified warranty period. Thereafter, a charge will apply to any repair or replacement under this Limited Warranty.

CLAIMS Claims under this Limited Warranty must be made (i) within 30 (thirty) days after discovery and (ii) prior to expiration of the applicable warranty period. Warranty period commences on the date of shipment. Claims shall be made in writing or by contacting the representative from whom the Product was purchased directly. Owner must allow Rite-Hite or its agent, a reasonable opportunity to inspect any Product claimed to be defective and shall, at Rite-Hite's option, either (x) grant Rite-Hite or its agent access to Owner's premises for the purpose of repairing or replacing the Product or (y) return of the Product to the Rite-Hite, F.O.B. Rite-Hite's factory.

NOT WARRANTED Rite-Hite does not warrant against and is not responsible for wear items such as fuses, batteries, bulbs, vision and seals. No implied warranty shall be deemed to cover damages that result directly or indirectly from: (i) the unauthorized modification or repair of the Product, (ii) damage due to misuse, neglect, accident, failure to provide necessary maintenance, or normal wear and tear of the Product, (iii) failure to follow Rite-Hite's instructions for installation, failure to operate the Product within the Product's rated capacities and/or specified design parameters, or failure to properly maintain the Product, (iv) use of the Product in a manner that is inconsistent with Rite-Hite's guidelines or local building codes, (v) movement, settling, distortion, or collapse of the ground, or of improvements to which the Products are affixed, (vi) fire, flood, earthquake, elements of nature or acts of God, riots, civil disorder, war, or any other cause beyond the reasonable control of Rite-Hite, (vii) improper handling, storage, abuse, or neglect of the Product by Owner or by any third party.

DISCLAIMERS THIS LIMITED WARRANTY IS EXCLUSIVE AND IN LIEU OF ALL OTHER REPRESENTATIONS AND WARRANTIES, EXPRESS OR IMPLIED, AND RITE-HITE EXPRESSLY DISCLAIMS AND EXCLUDES ANY IMPLIED WARRANTIES OF MERCHANTABILITY OR FITNESS FOR PURPOSE. RITE-HITE SHALL NOT BE SUBJECT TO ANY OTHER OBLIGATIONS OR LIABILITIES, WHETHER ARISING OUT OF BREACH OF CONTRACT, WARRANTY, TORT (INCLUDING NEGLIGENCE AND STRICT LIABILITY) OR OTHER THEORIES OF LAW, WITH RESPECT TO THE PRODUCTS SOLD OR SERVICES RENDERED BY RITE-HITE, OR ANY UNDERTAKINGS, ACTS, OR OMISSIONS RELATING THERETO.

LIMITATION OF LIABILITY IN NO EVENT SHALL RITE-HITE BE RESPONSIBLE FOR, OR LIABLE TO ANYONE FOR, SPECIAL, INDIRECT, COLLATERAL, PUNITIVE, INCIDENTAL, OR CONSEQUENTIAL DAMAGES, EVEN IF RITE-HITE HAS BEEN ADVISED OF THE POSSIBILITY OF SUCH DAMAGES. Such excluded damages include, but are not limited to, personal injury, damage to property, loss of goodwill, loss of profits, loss of use, cost of cover with any substitute product, interruption of business, or other similar indirect financial loss.

170714

GLOBAL SALES AND SERVICE *Representatives in All Major Cities*

RITE-HITE WORLD HEADQUARTERS

8900 N. Arbon Drive
 P.O. Box 245020
 Milwaukee, Wisconsin 53224

☎ 414-355-2600
 U.S. Only: 1-800-456-0600

RITE-HITE CHINA

First Floor, Building #3,
 558 Tongxie Road,
 Changning District
 Shanghai 200335, China

☎ +86-21-6237-6333

RITE-HITE LATIN AMERICA

Alameda Lorena 800, conj. 1310
 - Jardim Paulista
 São Paulo-SP, CEP 10424-001
 - Brazil

☎ +55-11-3527-9590

RITE-HITE GMBH

Carl-Zeiss-Strasse 3
 34471 Volkmarsen, Germany

☎ +49-5693 98700