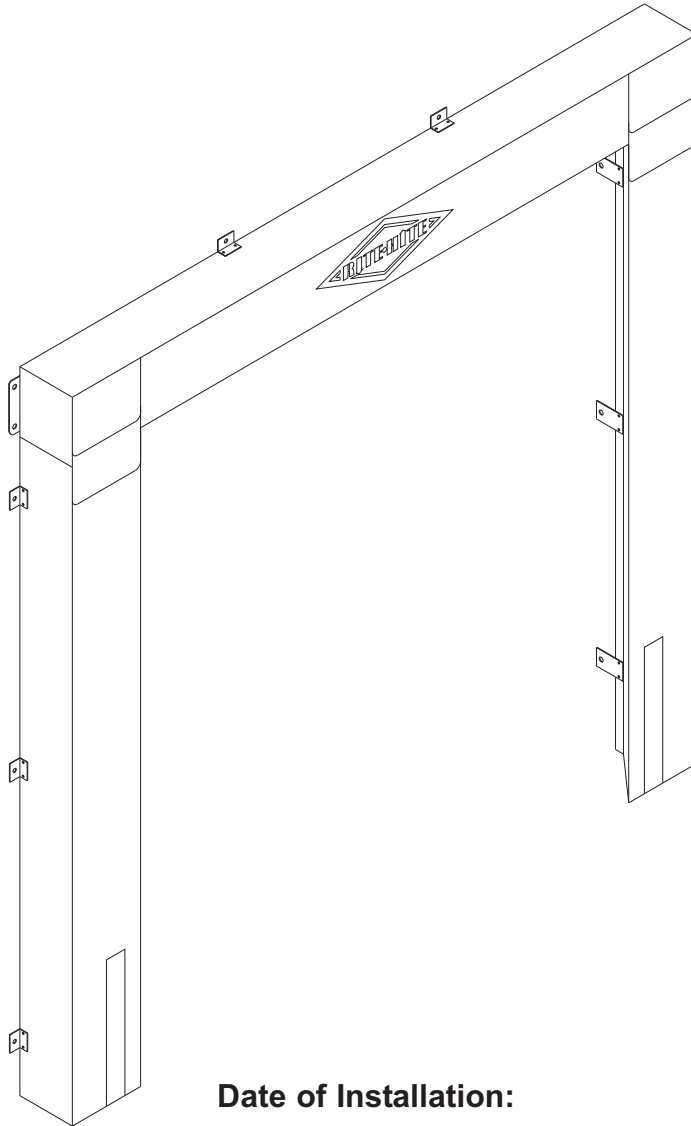

RITE-HITE®

TPP

FOAM DOCK SEAL WITH HEAD PAD Installation Instructions & Owner's Manual



Date of Installation:



This Manual Covers All Units Shipped 4/08 to Date



Table of Contents

General Precautions.	2
Introduction	2
Preparation	2
Care & Maintenance	2
Side Pad Installation	3
Head Pad Installation	4
Fastening Methods	5
Exploded View... ..	6
Warranty	8

File Information

Document Name:	TPP00001
Date Last Revised:	5/29/2014
Revision Letter:	5

General Precautions

 WARNING	
	<p>Post safety warning and barricade work area, at dock level and ground level to prevent unauthorized use of the dock position while service work is being performed.</p>

Introduction

Thank you for purchasing a Rite-Hite® Dock Seal. For other applications, please contact your local Rite-Hite Sales Representative.

The following installation instructions are complete for all standard applications of the TPP Dock Seal. These instructions assume that the installer is outside the building facing the loading dock position.

Any application of the TPP Dock Seal that is outside of the normal application guidelines should be referred to Order Engineering for installation instructions.

Preparation

Remove all of the contents from the containers and check for damage. If any of the contents show signs of damage, contact Rite-Hite or your local sales representative.

Illustrations

Illustrations for this document are contained on drawing #TPP00002

Care & Maintenance

No regular maintenance is required to keep the TPP Dock Seal operating efficiently. At times, it may be necessary to remove excess snow buildup from on top of the header.

All dock seal or shelter headers should be inspected periodically for damage and replaced when appropriate. Headers with the optional Firefighter™ system feature employ heat dissipating fabric technology. To ensure maximum effectiveness, the Firefighter system should be periodically inspected for damage or tears. The Firefighter header should be replaced in the event the outer Durathon™ fabric and/or inner foil layers are damaged and base fabric or header foam is exposed.

Instructions for Optional Components

Please note that installation instructions for wood blockouts are attached separately if this option/feature is ordered with the unit.

SIDE PAD INSTALLATION

1. Mark mounting location for sidepads

Measure the dock door opening. Divide this measurement in half and mark the centerline of the opening at dock level.

From this point, measure out half of the head pad or head curtain width and mark the wall at this location. Do this on both sides of the door opening. The outside edges of each side pad should line up with these marks. See Figure 1.

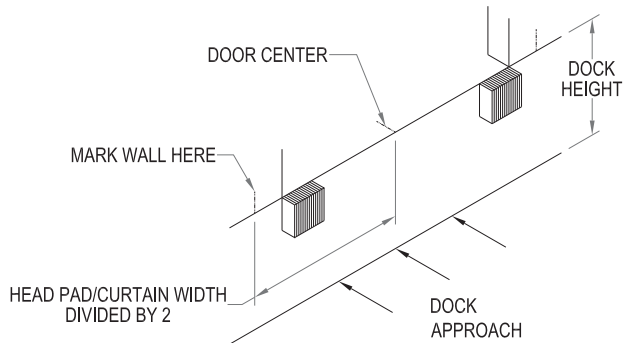


FIGURE 1

Reference the Product Application Form (PAF) or consult the sales representative for the appropriate mounting height. Typically, the bottom of the side pad/side frame is mounted at dock height, but some applications may require mounting them at a different location. (Example: When dock bumpers are mounted above dock height or above the pit floor on vertical leveler applications, it may be required to mount the bottom of the side pad/side frames at a height even with the top of the bumpers.)

2. Fasten mounting brackets to side pads

Fasten three 'L' brackets to the outside edge of each side pad using fasteners provided. Also, fasten three brackets to the inside edge of each side pad using fasteners provided. See Figure 2.

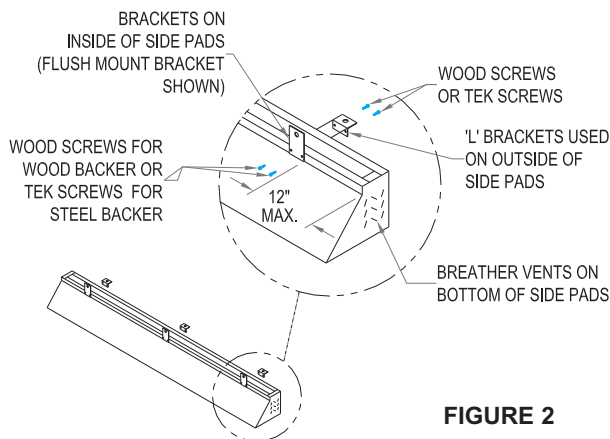


FIGURE 2

Warning: Attaching the top and bottom brackets more than 12" from the end of the backer could result in damage to the side pad backer. Locating the brackets as near as possible to the ends of the side pads provides the best support for the backer.

The bracket type for the inside of the side pads is determined by the offset from the edge of the door opening to the inside edge of the side pad backer. See figure 3 for bracket details.

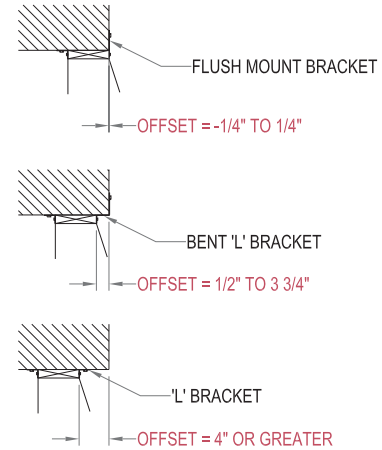


FIGURE 3

Position the brackets so they line up with mortar joints on block walls or girders/purlins on metal sided buildings. The top and bottom brackets should not be more than 12" away from each end of the pad, and the middle one should be approximately centered along the height of the sidepad.

3. Fasten side pads to building wall

Fasten each side pad to the building wall and door jamb through the brackets using appropriate fasteners. See "Fastening Methods" section of installation instructions for the recommended fastener type for various building wall types. See Figure 4.

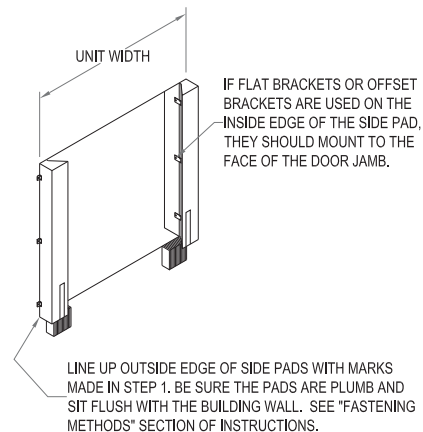


FIGURE 4

HEAD PAD INSTALLATION

1. Attach two 'L' brackets to top of head pad

Using wood screws or tek screws provided, fasten two 'L' brackets to the top edge of the head pad or head curtain backer, evenly spaced along the width of the header. See Figure 5.

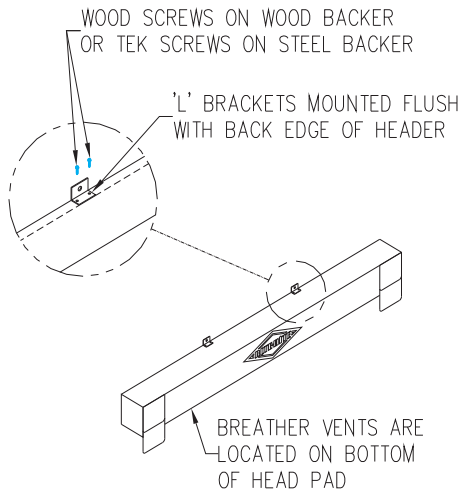


FIGURE 5

2. Attach brackets to ends of head pad

Attach appropriate brackets to each end of the header using the supplied fasteners. The end of the brackets should overhang the ends of the backer by approximately 2". See Figure 6.

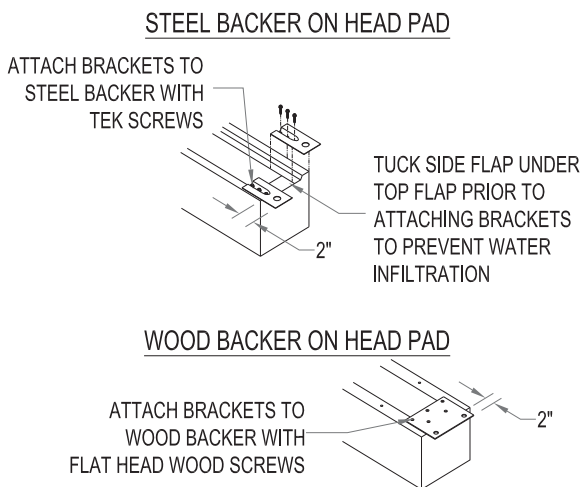


FIGURE 6

POSITION HEADER ON TOP OF SIDE PADS AND MARK AND DRILL THE MOUNTING HOLES FOR THE HEADER. THE HEAD PAD SHOULD REST ON TOP OF THE SIDE PADS AND THE ENDS OF THE HEAD PAD SHOULD LINE UP WITH THE OUTSIDE EDGES OF THE SIDE PADS. MOUNTING HOLES MUST CORRELATE WITH LOCATION OF HOLES IN BRACKETS.

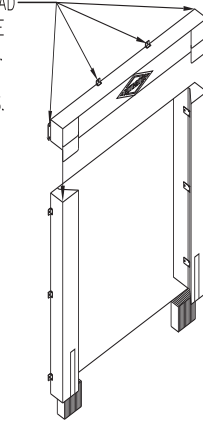


FIGURE 7

3. Mark and drill mounting holes for header See Figure 7.

4. Fasten Header to building wall

With the header positioned on top of side pads, fasten the header to the building wall through the brackets using appropriate fasteners. See "Fastening Methods" section of installation instructions for the recommended fastener type for various building wall types. See Figure 8.

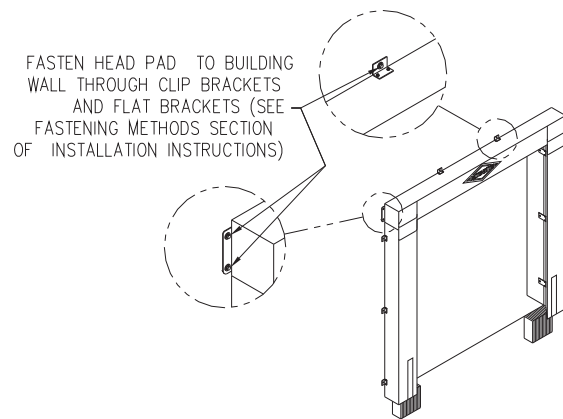


FIGURE 8

FASTENING METHODS

5. Seal the perimeter of the unit to the building wall

Use a good grade of silicon caulk, foil backed butyl rubber flashing tape, or equal to seal along the top edge of the head pad where it meets the wall and down the outside vertical edge of the head pad and side pads as needed. Be sure to follow the manufacturers recommendations when applying the flashing tape, caulk, or other sealant. In instances where the gaps between the unit and the building wall exceed 1/2", it is recommended to fill these gaps with a foam backer rod or equal before applying sealant. See Figure 9.

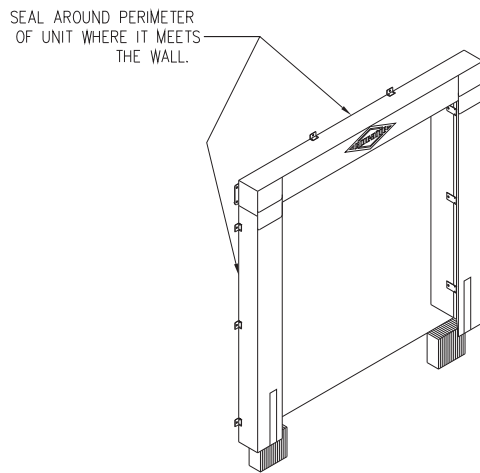


FIGURE 9

Fastening Methods

Concrete Block or Brick Wall

Preferred Method

1. Through bolt fastening. Bore a hole through the building wall. Use a 3/8" diameter threaded rod with a washer, nut, and jam nut on each end - it will be necessary to install a back-up plate inside the building wall when the wall will not support the bolt.

Alternate Method

2. Anchor through horizontal mortar joint. Min. of 3/8" anchor diameter. Consult anchor manufacturer's recommended minimum anchor embedment to determine anchor length for your wall/material type. (Acceptable only on foam seals, only if used on horizontal mortar joints and only if the mortar joint is in good condition and can support the members).

Concrete Tilt-Up Walls (Precast)

Use 3/8" lag bolts with expansion shields, 3/8" one piece anchor bolts with expansion collar, or equivalent fastener. If building wall is too thin to effectively hold the lag bolt or anchor bolt, the through bolt method of attachment is required.

Consult anchor manufacturer's recommended minimum anchor embedment to determine anchor length for your wall/material type.

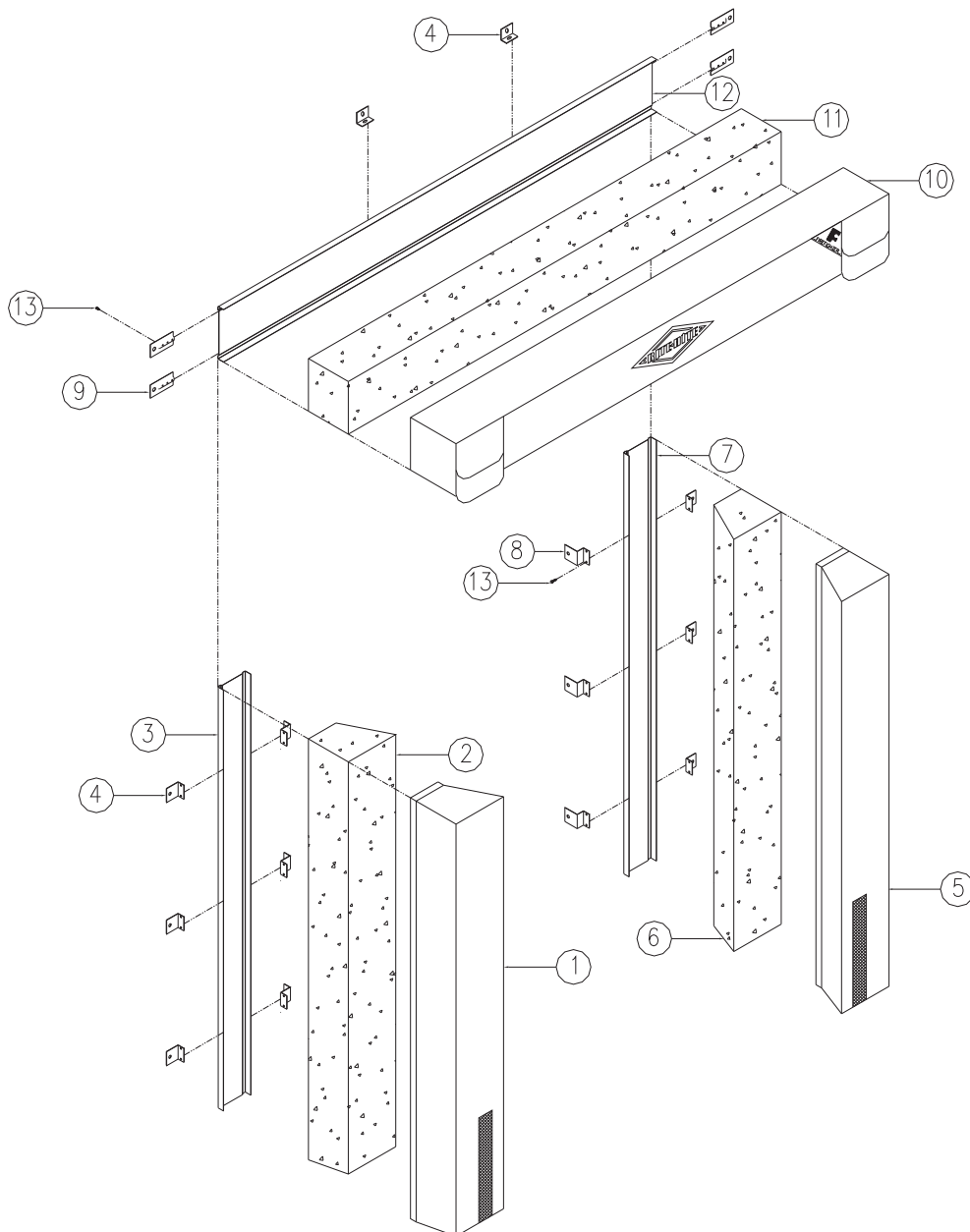
Metal Sided Building

Through bolt method of attachment is required for this building style. It will be necessary to install a back-up plate that is fastened directly to structural members when it is not possible to fasten directly to structural building members. Use a 3/8" diameter bolt with a washer and lock nut to fasten the unit to the structural members of the building or to the back-up plates. If necessary, use a 3/8" diameter threaded rod with a washer and lock nut on each end.

EXPLODED VIEW OF TPP

This unit shown in exploded view is a standard TPP. Your unit may have options which are not shown in the exploded view, depending on options chosen, and application of the unit.

- | | |
|---|--|
| <ol style="list-style-type: none"> 1. Cover, left side pad 2. Foam, left side pad 3. Side pad backer, left 4. 'L' style mounting bracket 5. Cover, right side pad 6. Foam, right side pad | <ol style="list-style-type: none"> 7. Side pad backer, right 8. Mounting bracket (style may vary) 9. Head pad mounting bracket 10. Cover, head pad 11. Foam, head pad 12. Head pad backer 13. Screw, self drill/tap |
|---|--|



NOTES

WARRANTY POLICY

Rite-Hite warrants that it's, **TPP Foam Dock Seal**, will be free of defects in design, materials, and workmanship for a period of 365 days from the date of shipment. All claims for breach of this warranty must be made within 30 days after the defect is or can, with reasonable care, be detected and in no event more than 395 days after shipment. In order to be entitled to the benefits of this warranty, the product must have been properly installed, maintained, operated within its rated capacity, and not otherwise abused.

Rite-Hite expressly disclaims all implied warranties including the implied warranties of merchantability and fitness.

In the event of any defects covered by this warranty, Rite-Hite will remedy such defects by repairing or replacing any defective parts, bearing only the cost of the parts and transportation of those parts. This shall be the exclusive remedy for all claims whether based on contracts, negligence, or strict liability.

Rite-Hite shall not in any event be liable for any loss of use of any equipment or incidental or consequential damages of any kind.

“Our mission is to improve industrial safety, security and productivity worldwide through quality and innovation.”



**Rite-Hite Environmental Enclosures Corporation
8900 North Arbon Drive
P.O. Box 245020
Milwaukee, WI 53224-9520**